

Overview

The Chalwyn SVR range is a compact butterfly design air intake shutoff valve available with electrical or mechanical actuation. Actuation of the SVR solenoid rapidly closes the valve's sealing element which shuts off intake air flow into the engine.

The SVR can be used in fully automatic or manual shutdown systems. When incorporating into an automatic overspeed shutdown system, this valve is compatible with Chalwyn CSX-300 range and Revguard speed switches.

We offer custom configurations to fit your specific applications. Our valves are tested to strict OEM standards for shock, corrosion, vibration and life cycle.

The SVR series is also available in sizes ranging from 44 mm (1 3/4") to 64 mm (2 1/2") and 102 mm (4"). Additionally, we offer custom configurations to fit your specific applications, plus a variety of different types of Chalwyn valves ranging in size from 25 mm (1") to 229 mm (9"). Larger sizes are available within our other brands.

Please contact our customer service department to discuss your requirements.

Trusted Industry Experts

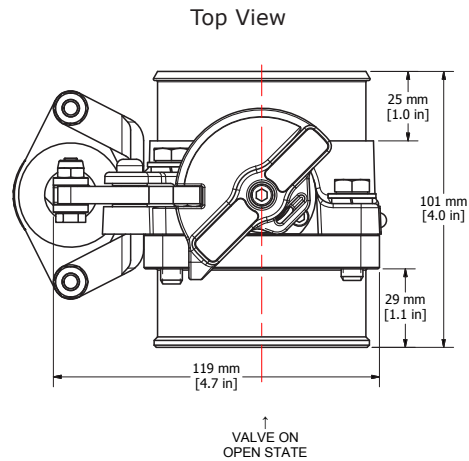
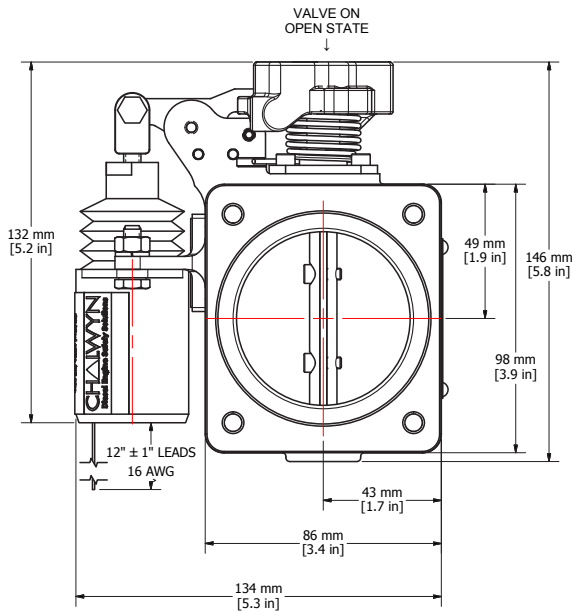
We are the leading provider of air intake shutoff valves and systems with manufacturing facilities in England, Canada and the United States to serve our global markets. Our success is driven by our people and their commitment to exceed customer expectations. We will help you find the right protection system for your diesel engine application.



Features and Benefits

- Compatible for modern low emission diesel engines
- Lightweight, compact design
- Easy to install and maintain
- Can be mounted post-intercooler on turbocharged engines
- Corrosion resistant aluminium, stainless steel and brass construction
- Used in manual and automatic electric actuation systems (12 or 24 V)
- Available in 2 standard sizes: 70mm (2 3/4") and 77mm (3")
- Custom applications possible on request

Dimensions

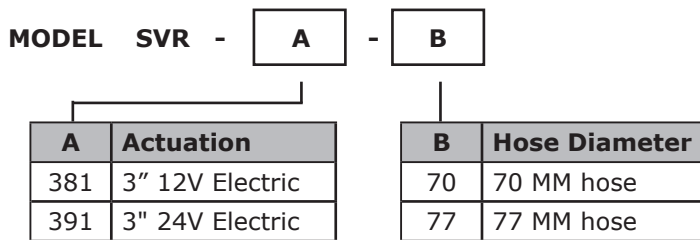


Note: For detailed wiring diagrams, see Installation, Operation and Maintenance Manual.

Specifications

Standard materials	Valve body	Aluminium
	Sealing element	Brass disc
	Seals	Nitrile/Silicone/Teflon
	Solenoid housing	Plated steel
Net weights	Standard solenoid actuated	4.5 lbs (2 kg)
Intake air temp range	Standard valve	-40°C to 125°C (-40°F to 257°F)
Ambient air temp range	Standard valve	-40°C to 125°C (-40°F to 257°F)
Electric solenoid actuation	Nominal 12 VDC power requirement	48 amp pull in
	Cycle rate	4 activations per minute
	Nominal 24 VDC power requirement	25 amp pull in
	Cycle rate	6 activations per minute

How to Order



Accessories for Fully Automatic Systems

Part No.	Description
1520-001	Revguard 2 Speed Switch
AK2-E1-RM-CH	Activation Kit for 12V Valve
AK2-E2-RM-CH	Activation Kit for 24V Valve

Contact our sales offices below for more information or to find your local distributor, visit our website and select "Find Local Distributor".

Americas

AMOT - USA
 Tel +1 (281) 940 1800
 Fax +1 (713) 559 9419
 sales@amot.com

Roda Deaco - Canada
 Tel +1 (780) 465 4429
 Fax +1 (780) 469 6275
 info@rodadeaco.com

Asia Pacific

AMOT - China
 Tel +86 21 6279 7700
 Fax +86 21 5237 8560
 shanghai@amot.com

AMOT - Singapore
 Tel +65 6408 6265
 Fax +65 6293 3307
 singapore@amot.com

Europe, Middle East and Africa

Chalwyn - England
 Tel +44 (0) 1284 715739
 Fax +44 (0) 1284 760256
 sales@chalwyn.com

AMOT - Germany
 Tel +49 (0) 40 8537 1298
 Fax +49 (0) 40 8537 1331
 germany@amot.com

www.chalwyn.com