

Overview

The Chalwyn SVR range is a compact butterfly design air intake shutoff valve available with electrical or mechanical actuation. Actuation of the SVR solenoid rapidly closes the valve's sealing element which shuts off intake air flow into the engine.

The SVR can be used in fully automatic or manual shutdown systems. When incorporating into an automatic overspeed shutdown system, this valve is compatible with Chalwyn CSX-300 range and Revguard speed switches.

We offer custom configurations to fit your specific applications. Our valves are tested to strict OEM standards for shock, corrosion, vibration and life cycle.

The SVR range is also available in 70 mm (2 3/4"), 77 mm (3") and 102 mm (4"). Additionally, we offer custom configurations to fit your specific applications, plus a variety of different types of Chalwyn valves ranging in size from 25 mm (1") to 229 mm (9"). Larger sizes are available within our other brands.

Please contact our customer service department to discuss your requirements.

Trusted Industry Experts

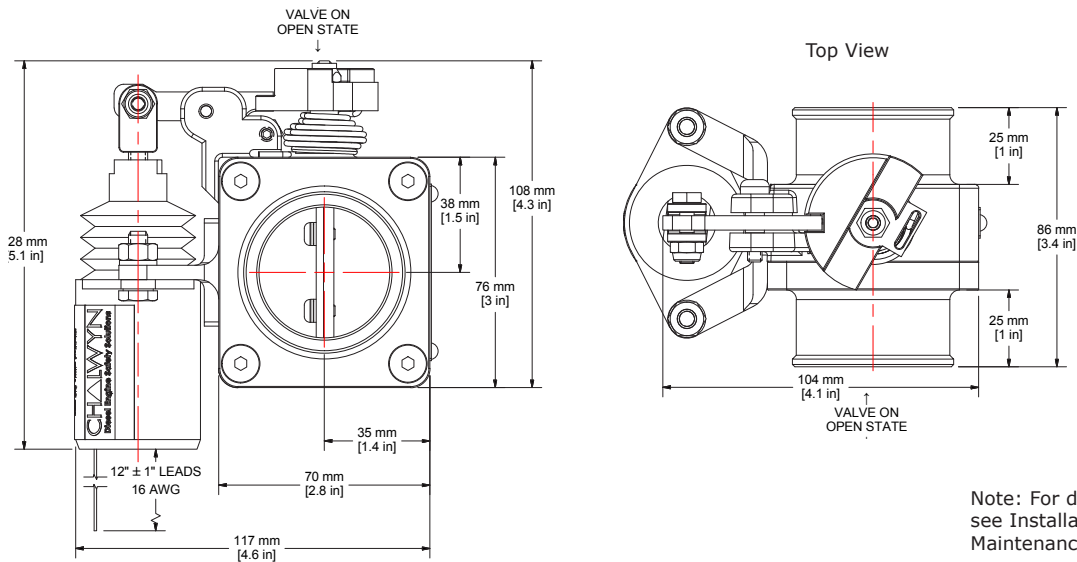
We are the leading provider of air intake shutoff valves and systems with manufacturing facilities in England, Canada and the United States to serve our global markets. Our success is driven by our people and their commitment to exceed customer expectations. We will help you find the right protection system for your diesel engine application.



Features and Benefits

- Compatible for modern low emission diesel engines
- Lightweight, compact design
- Easy to install and maintain
- Can be mounted post-intercooler on turbocharged engines
- Corrosion resistant aluminium, stainless steel and brass construction
- Used in manual and automatic electric actuation systems (12 or 24 V)
- Available in 6 standard sizes (See How to Order on page 3)
- Custom applications possible on request

Dimensions



Note: For detailed wiring diagrams, see Installation, Operation and Maintenance Manual.

Specifications

Standard materials	Valve body	Aluminium
	Sealing element	Brass disc
	Seals	Viton/Silicone
	Solenoid housing	Plated steel/Stainless steel/Aluminium
Net weights	Standard solenoid actuated	3 lbs (1.4 kg)
Intake air temp range	Standard valve	-40°C to 125°C (-40°F to 257°F)
Ambient air temp range	Standard valve	-40°C to 125°C (-40°F to 257°F)
Electric solenoid actuation	Nominal 12 VDC power requirement	48 amp pull in
	Cycle rate	4 activations per minute
	Nominal 24 VDC power requirement	25 amp pull in
	Cycle rate	6 activations per minute

How to Order

MODEL SVR - **A** - **B**

A	Actuation
281	2" 12V Electric
291	2" 24V Electric

B	Hose Diameter
44	44 MM hose
48	48 MM hose
51	51 MM hose
57	57 MM hose
60	60 MM hose
64	64 MM hose

Accessories for Fully Automatic Systems

Part No.	Description
1520-001	Revguard 2 Speed Switch
AK2-E1-RM-CH	Activation Kit for 12V Valve
AK2-E2-RM-CH	Activation Kit for 24V Valve

Contact our sales offices below for more information or to find your local distributor, visit our website and select "Find Local Distributor".

Americas

AMOT - USA
Tel +1 (281) 940 1800
Fax +1 (713) 559 9419
sales@amot.com

Roda Deaco - Canada
Tel +1 (780) 465 4429
Fax +1 (780) 469 6275
info@rodadeaco.com

Asia Pacific

AMOT - China
Tel +86 21 6279 7700
Fax +86 21 5237 8560
shanghai@amot.com

AMOT - Singapore
Tel +65 6408 6265
Fax +65 6293 3307
singapore@amot.com

Europe, Middle East and Africa

Chalwyn - England
Tel +44 (0) 1284 715739
Fax +44 (0) 1284 760256
sales@chalwyn.com

AMOT - Germany
Tel +49 (0) 40 8537 1298
Fax +49 (0) 40 8537 1331
germany@amot.com

www.chalwyn.com